

HERSHEYSM EXPOSITIONS

SIGN ORDER FORM

6305 Allentown Boulevard, Harrisburg, PA 17112
PHONE: 717-508-5926 FAX: 717-298-1519

This form must be completed and mailed to the address above.

The following prices are for signs of 10 words or less: black vinyl lettering on white showcard. Over 10 words, add \$1.50/word.

Additional Header Signs: 7" x 42 1/2" black ink on a white showcard (30 characters max.)

Orders received less than 7 working days prior and on move-in day through the event, will be charged late order prices. No guarantee can be made on delivery if signs are ordered on move-in day.

Quantity	Sizes	Regular Price	Late Order	Amount
	7" x 42 1/2"	\$20.00	\$30.00	
	11" x 14"	\$40.00	\$50.00	
	14" x 22"	\$60.00	\$75.00	
	22" x 28"	\$70.00	\$90.00	
	28" x 44"	\$85.00	\$100.00	
Full payment must be received with order. Return credit card form or include check with order.			Sub Total: _____ 6% PA Sales Tax: _____ Total: _____	

Extra charge on all special work, special color signs, special color lettering, logos, trademarks, cut-outs, sign banners, sintra, plexiglass, etc., will be quoted upon request. Submit size and copy desired for quotes. Prices include delivery to your booth, not installation.

Proof copy must be initialed prior to sign production.

Color of Background: _____ Color of Lettering: _____

Anodized Aluminum Frame Display Panels

Options

Felt-Covered Presentation Panel (tackboard)

Wedgewood Blue - both sides

Velcro Exhibit Panel (double sided)

Slate Grey - one side

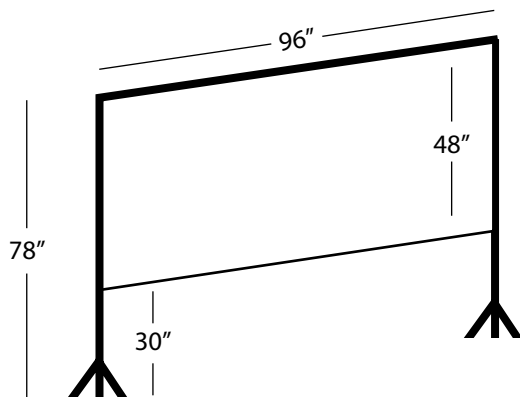
Blueberry - opposite side

1/4" Peg Board Panel - Wood Frame

Color: White

Vertical _____ or Horizontal _____

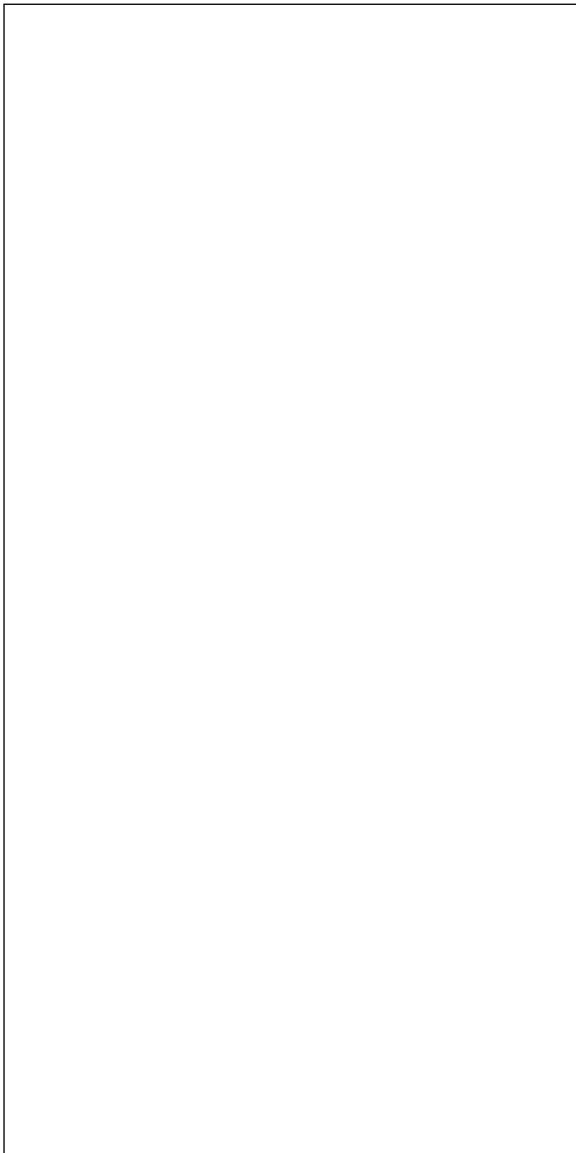
**Does not include pegboard hooks*



Items	Quantity	Cost	Amount
Tack Board		\$90.00	
Velcro		\$90.00	
Peg Board		\$70.00	
Bottom Skirting		\$35.00	
Color			
		Sub Total: _____	
		6% PA Sales Tax: _____	
		Total: _____	

Sign Copy Layout

SIGN ORDER FORM



Vertical View



Horizontal View

Name of Event: _____ Booth #: _____
Company: _____ Fax: (_____) _____
Billing Address: _____ Phone: (_____) _____
City: _____ State: _____ Zip: _____
Authorized by (Please Print): _____ Signature: _____